



One Piece ADA/Barrier Free Showers

36" ADA AcrylX™ & Solid Surface Transfer Showers

60" ADA AcrylX™ & Solid Surface Roll-In Showers

Installation Instructions

Tools & Materials you might need for proper installation

Materials:

- 3 - 50 lb bags of cement (for bracing)
- 2 - 5 gallon buckets
- 2.5 gallons of water
- 20 - 1.25" wood screws
- Wooden Shims
- 1 tube of non-shrink adhesive (100% silicone or equivalent)
- Caulking gun
- 1 - gallon of water for testing the draft of the drain

Tools:

- Claw hammer
- Drill

- 1/8" drill bit
- Screwdriver
- Screwdriver attachment to match screws
- 4' level
- 2' level
- Torpedo level
- Caulking gun
- Black marker (to mark the threshold)
- Drain

Helpful Hints for Installation:

- 2 - 5.5" pieces of PVC - These can be used to lay the product face down and roll it up to the framing pocket rather than sliding or picking it up.
- Please place cardboard from the carton into the bottom of the shower during installation to prevent damage to the finished surface.
- When placing shower into the frame pocket, you can use the handle of the hammer to align the pipe with the drain hole.

NOTE: INSTALLATION OF THESE SHOWER UNITS MAY BE SUBJECT TO CODE APPROVAL. Refer to job prints and/or consult with architect to see if your installation must comply with ADA.

These shower units install differently from typical residential showers. Installation may need to conform to requirements of the Americans With Disabilities Act (ADA) and other local codes. These requirements relate to the height of the threshold in relation to the finished floor. Certain showers will install directly on the sub floor and others will require a recess or pit. These showers require special preparation of the installation site, and very specific installation procedures to assure the shower drains properly and meets code requirements.

QUESTIONS? Please phone 1.800.759.7744 ext: 29 for additional information.

STORAGE & HANDLING

Do not store units out of doors.- Keep out of sunlight and exposure to weather.

1. Most handling damage is the result of impact blows to the back side of the shower units.
2. Stress cracks can develop when shipping boards are removed before unit is positioned for final installation in bathroom.
3. Placing objects inside of tub can cause scratches, abrasions or nicks to the finished surface.
4. Storing units outside right-side up can cause the sunlight to discolor the acrylic finish. Also, unit becomes unstable and is easily knocked over by wind or bumping.
5. The back side of the shower unit is not waterproof. Unit must be stored so that water will drain off of unit and not accumulate in any one spot. Water can permeate the back laminates and soak the glassed in wood supports causing bulges in the finished surface.
6. Never drag these units on any surface. Always transport the unit by hand using (2) people or a two-wheel dolly.
7. Never let these units drop from any height, not even an inch.



One Piece ADA/Barrier Free Showers

36" ADA AcrylX™ & Solid Surface Transfer Showers

60" ADA AcrylX™ & Solid Surface Roll-In Showers

Installation Instructions

8. Never clean the shower finished surface with metal tools of any kind, including razors.

****Very Important for Showers with Thresholds 2 Inches or Less:**
(See Figure 1)

Showers stalls with thresholds of 2 inches or less must be stored and installed with care. During storage this unit should sit as it is received. It should be stored with a 2" x 4" block of some other type of material at each of the (4) points numbered above in the top view. These units do not have wooden bottoms to reinforce the floors as conventional showers have. By placing the unit on some type of blocking, the drain will not touch the floor. This will allow the draft of the floor to be maintained without the weight of the shower unit pushing the drain upward. The blocks should only be placed at the outside corner edges of the unit and should never be placed under the middle of the threshold. This procedure should only be used during storage and not during installation.

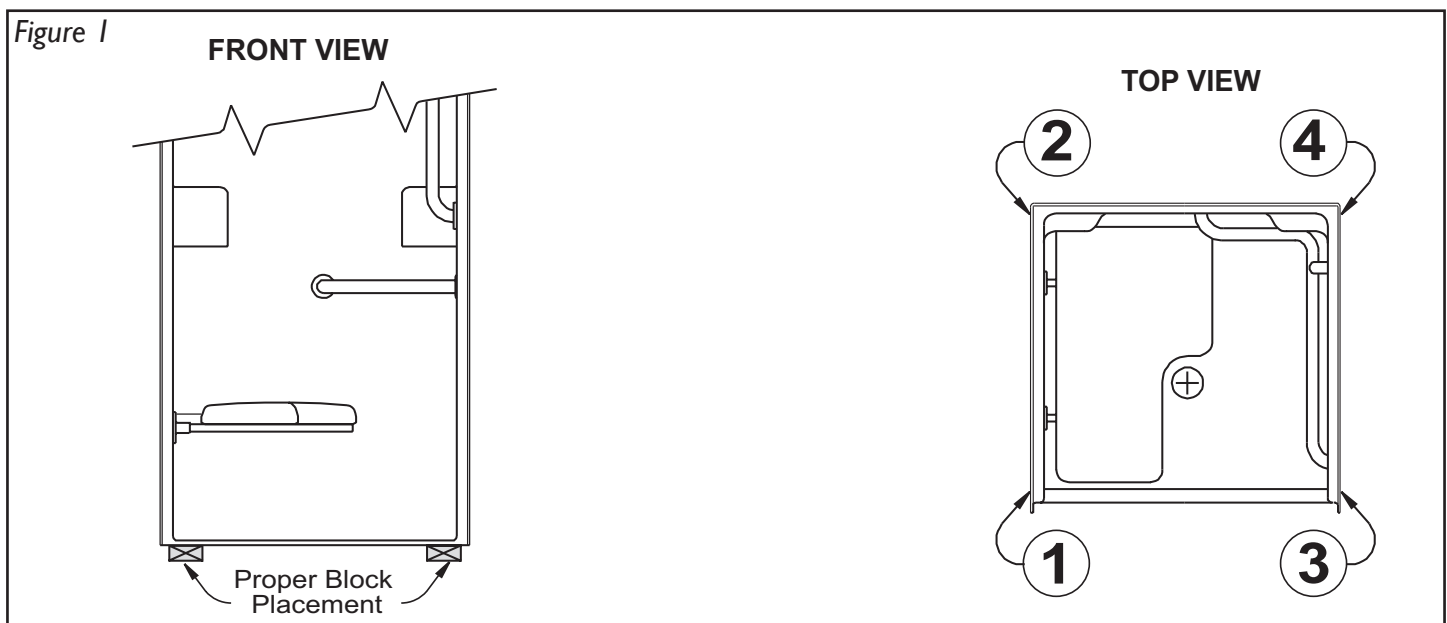
SHOWER THRESHOLD STYLES

ADA style showers have very specific code requirements. Showers with an inside Dimension of 36" are referred to as "Transfer Showers". Wheelchairs may roll up to these showers, and the occupant may "transfer" onto the seat of the shower. Since these showers are not large enough to roll a wheelchair into, the threshold height requirement is permitted to be 1/2 inch 90 degree vertical. Typically, these showers are

installed directly on the sub floor with no pit or recess. This style is illustrated in Figure 2.

ADA showers with a minimum inside Dimension of 60" wide x 30" in depth, are referred to as "Roll-In Showers". Typically, these showers have thresholds measuring between 3/4" and 2.0" tall. As the name implies, the shower must be installed so a person occupying a wheelchair may roll into the shower without restriction. Code requires the top of the shower threshold to be even with the floor of the room at the shower entry. To accomplish this, either construct a recessed pit to place the shower in, or raise the floor of the room to meet the shower threshold. The depth of the recessed pit should be calculated so the finished floor is level with the top of the shower threshold. See Figure 3.

Every Barrier Free installation requires a 10 inch diameter x 1/2" deep recess around the drain core. (See Figure 4 & Picture 1) This depth is necessary to assure the factory manufactured slope to the drain is maintained. Even if your installation is not ADA compliant, you will always need the 10 inch x 1/2 inch deep recess around the drain. Silicone pads must be used for support under all the installations. In order to ensure proper draining of the unit, it is advised to:





One Piece ADA/Barrier Free Showers

36" ADA AcrylX™ & Solid Surface Transfer Showers

60" ADA AcrylX™ & Solid Surface Roll-In Showers

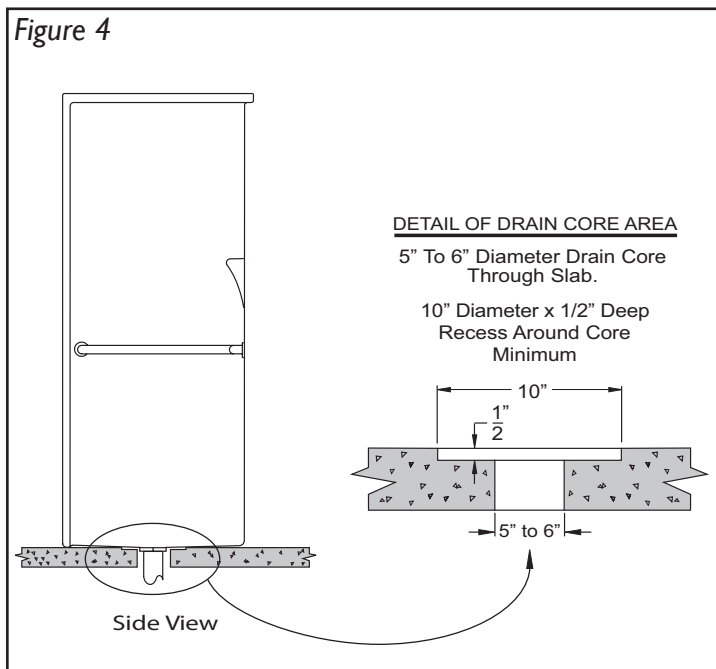
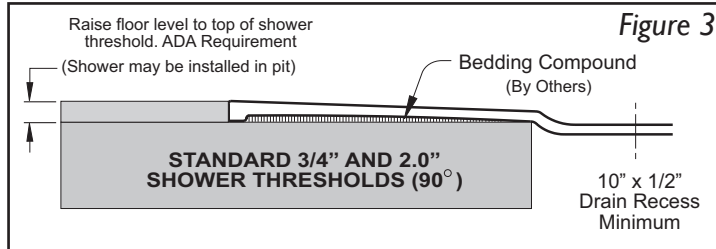
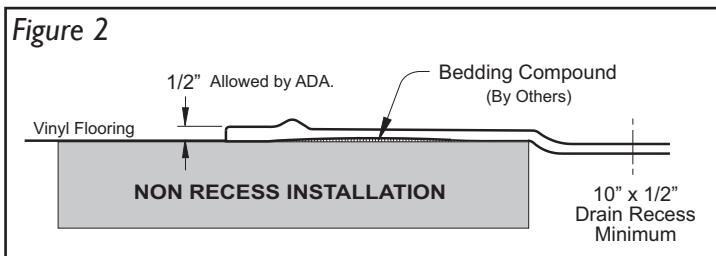
Installation Instructions

1. Core drill a diameter of 10" at a minimum depth of 1/2" on a concrete surface.

OR

2. Box out a diameter of 10" at a depth of 1/2" around the drain pipe.

Following these instructions will allow the unit to drain properly. This is absolutely necessary to comply with product warranty requirements for proper installation.



RECESS INSTALLATION

See Figure 5

This diagram illustrates a typical installation for showers that NO RECESS NECESSARY have vertical thresholds 3/4" to 2" high. The recess allows the shower to be installed below the finished floor level.

The recess is deep enough so the shower threshold will be at the acceptable height above the finished floor.

An alternative to the recessed installation is to either build up the entire room floor to be even with the top of the threshold, or to construct a ramp to the shower entry.

NO RECESS INSTALLATION

See Figure 6

This diagram illustrates a typical installation for showers that do not require recessed installation to comply with ADA guidelines. This style shower is illustrated in Figure 2. They are for 36" x 36" inside dimension showers with vertical thresholds no higher than 1/2".

SHOWER FRAMING ENCLOSURE

Construct a framing enclosure for the shower you will be installing. To obtain shower dimensions and drain location, measure the shower you will be installing, view the dimensioned product drawing on the side wall of the shower, or use a dimensioned drawing provided by the contractor.



One Piece ADA/Barrier Free Showers

36" ADA AcrylX™ & Solid Surface Transfer Showers

60" ADA AcrylX™ & Solid Surface Roll-In Showers

Installation Instructions

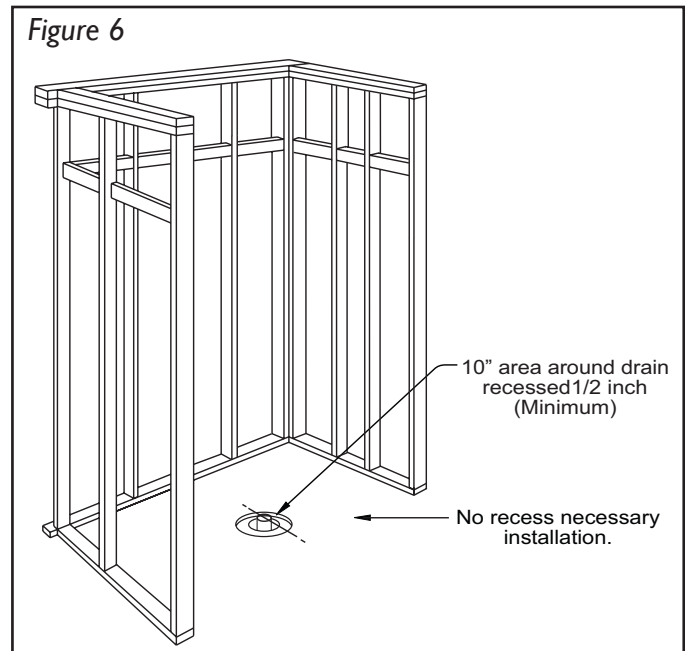
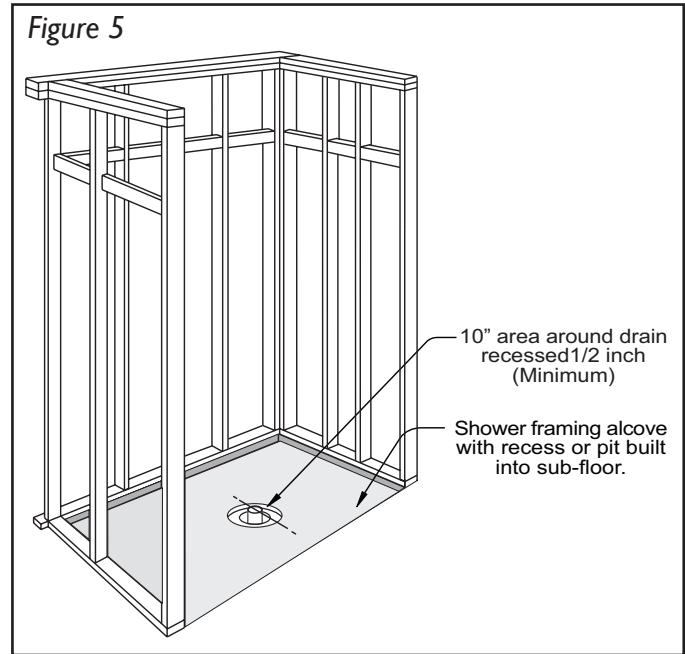
Shower dimensions are also available on the Praxis Companies Web Site: www.praxiscompanies.com
At the bottom of the page, click on the Brand Name of the product you are installing to access that specific web site for a drawing.

Review the SHOWER FRAMING DIAGRAM (Figure 9) of this manual. This illustrates a typical style shower enclosure. The framing may be wood studs or metal studs. When planning your enclosure, be sure to account for pit requirements, (if applicable). The use of a pit may need to be considered early in the construction process so the recess may be fabricated prior to any floor slab installation.

Plan the location of the shower drain and water supply lines. Since ADA or Barrier Free code requirements may be in affect, certain shower units may require a specific location of the water control valve. Plan to route the water supply lines to account for these specific code requirements.

It is recommended when planning the framing enclosure, to construct the width 1/4" wider than the shower you are installing. This will provide "wiggle room" should the shower be slightly over the width indicated in the dimensioned product drawing. Due to the nature of the materials involved, dimensions may vary +/- 1/2".

Take care when measuring and constructing the framing enclosure. Make certain the enclosure is square and plumb.





One Piece ADA/Barrier Free Showers

36" ADA AcrylX™ & Solid Surface Transfer Showers

60" ADA AcrylX™ & Solid Surface Roll-In Showers

Installation Instructions

SHOWER INSTALLATION

Note: The shower threshold and 3 back legs have been factory cut level on all Barrier Free Showers. At the time of installation, ensure the flooring is level. If the floor is not level, the outcome of the installed unit could possibly result in difficulty with the installation. In addition, the area must be clean and free of debris and moisture.

A 10" x 10" x 1/2" deep box out (6" core Drill) is required to be centered around the Drain pipe. Ensure this area is prepared before installation. (see picture 11)

1. Place the shower into the intended alcove to confirm proper placement of the drainpipe and sizing of the above. ****Helpful tip:** Place two sections of 1/2" PVC pipe on floor to help slide and tilt unit into position. (Remove PVC Pipe before proceeding to step 2.) Draw a line on the floor where the front of the threshold lies.

2. Remove the shower from the alcove by leaning it forward, so that it can be laid on its front flanges.

3. Clean the area of all dirt, trash, oil, grease, water and other contaminants that may affect adhesion.

4. Apply 100% silicone caulking bead 1/2" wide by 1/2" high around the box out. (See Figure 7)

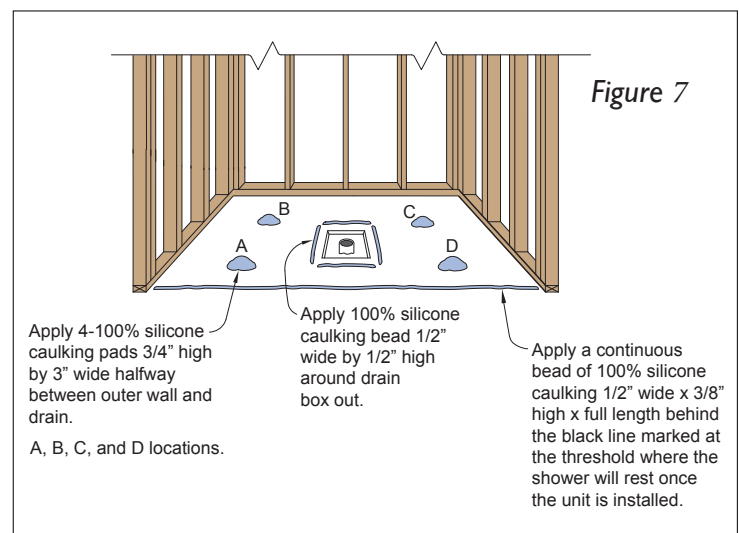
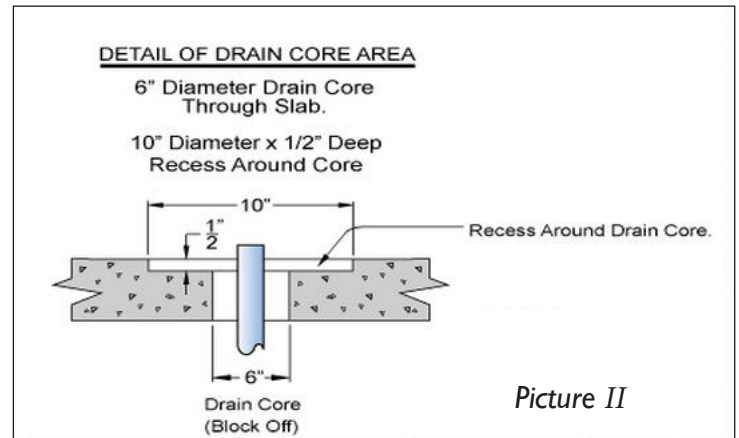
5. Apply 4- 100% silicone caulking pads 3/4" high by 3" wide halfway between outer wall and drain. (See Figure 7)

NOTE: YOU DO NOT NEED TO BACKFILL THE DRAIN LOCATION WITH BEDDING MATERIAL

6. Next, apply a continuous bead of 100% silicone caulking 1/2" wide x 3/8" thick x length behind the black line marked at the threshold where the shower will rest once the unit is installed.

7. Install the drain provided in the shower prior to setting it into its final position, but do not store the shower on its bottom while the drain is installed.

****HELPFUL TIP: TEMPORARILY REMOVE DONUT SEAL.****



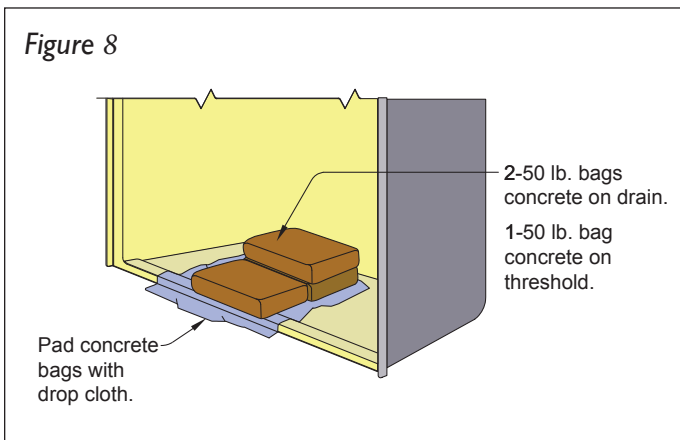
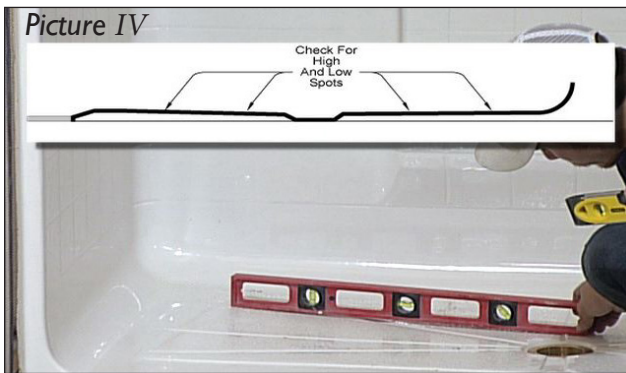


One Piece ADA/Barrier Free Showers

36" ADA AcrylX™ & Solid Surface Transfer Showers

60" ADA AcrylX™ & Solid Surface Roll-In Showers

Installation Instructions



8. Set the shower into place and guide the drainpipe into the drain by using the handle of a hammer or similar object.

9. Level the shower and set plumb. If the floor is not level, it will require the use of shims (not provided) to level the shower. (See Picture III)

If shims are required, they should be placed no more than 6 inches apart to provide proper support. **DO NOT SHIM THE UNIT MORE THAN 1/8"**. If the shower requires more than 1/8" shim adjustment, the shower will need to be pulled out and the floor will need to be leveled. Ensure the drain is lined up in the appropriate areas.

10. Secure the shower to the framing members through the flanges using 6D galvanized screws on 8" centers.

11. Place 2-50 lb. bags of concrete on the drain. (See Figure 8)

12. Place 1-50 lb. bag of concrete on threshold. (See Figure 8)

13. A 2ft level should be placed from floor to ensure the unit has proper slope and drainage. If unit does not drain properly, the unit must be pulled back up to determine where the problem lies. This should be done immediately after step 12 before the materials have had a chance to set. (See Picture IV)

14. Unit should be walked in and found to be stable with minimal flex.

15. All bracing can be removed after 12 hours after 100% silicone adhesive has been applied.

****THE DRAIN CONNECTION SHOULD BE TIGHTENED AFTER THE FLOOR HAS BEEN BRACED, CURED, AND THE BRACE REMOVED i.e. 12 HOURS AFTER INSTALL.****



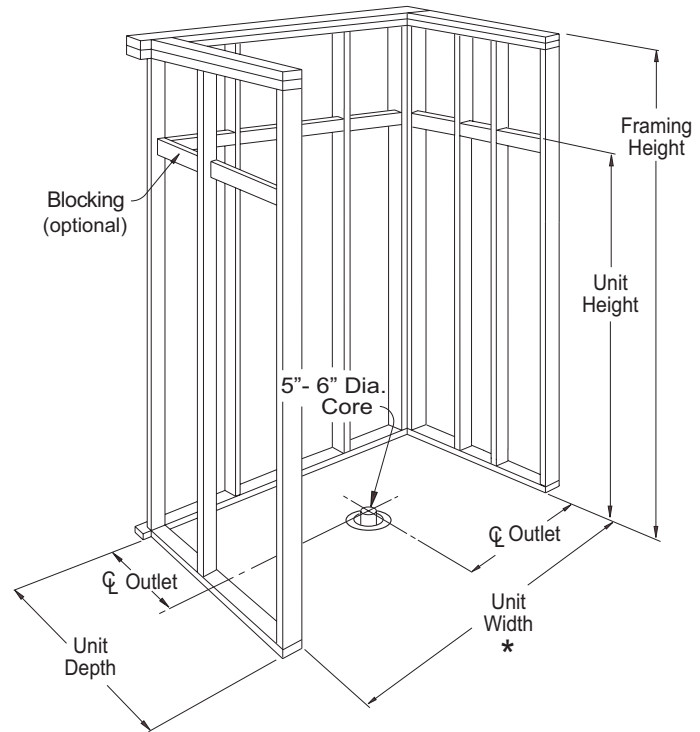
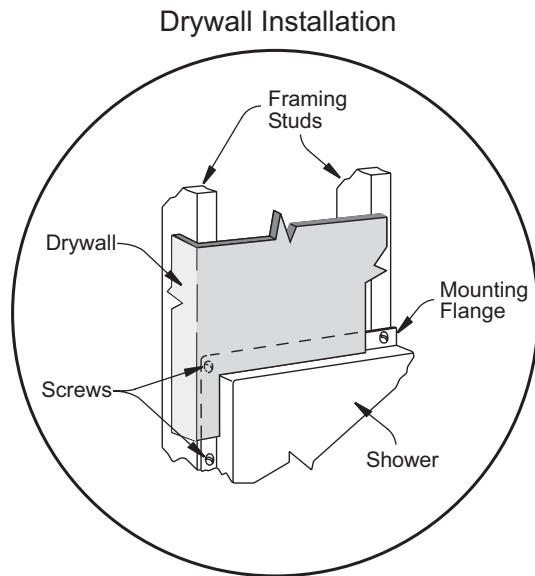
One Piece ADA/Barrier Free Showers

36" ADA AcrylX™ & Solid Surface Transfer Showers

60" ADA AcrylX™ & Solid Surface Roll-In Showers

Installation Instructions

Figure 9



* Build Framing 1/4" wider than Shower width for "Wiggle-Room".

NOTE: Shower Dimensions may vary + - 1/2".

DO NOT USE ABRASIVE CLEANERS

The most important caution is to avoid use of harsh abrasive cleaners or gritty scouring powders. To clean the unit, simply use a household liquid detergent with soft sponge cloth and warm water. More persistent stains, tar, or paint can be removed with naphtha or mineral spirits. Remove excess plaster by scraping with a sharpened soft wood stick. Avoid wire brushes, metal scrapers or tools. Restore dull areas by rubbing with automotive type body cleaning compound.

